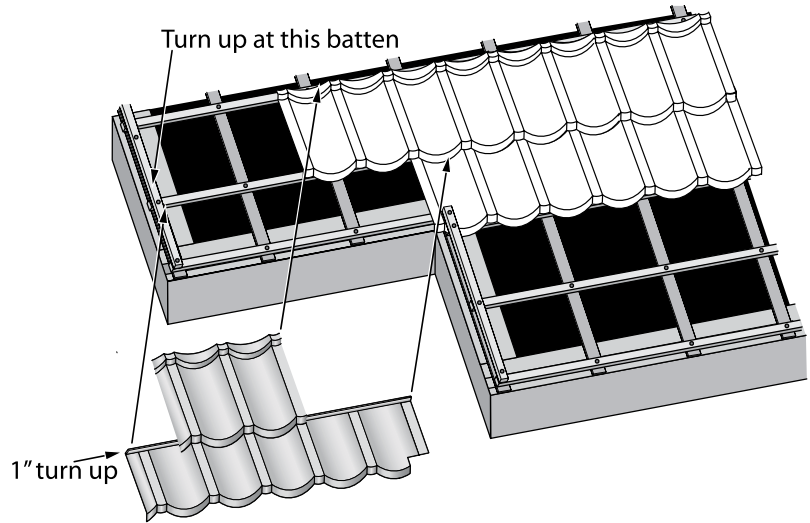


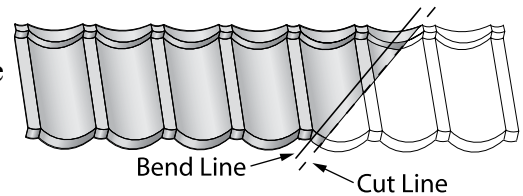
Short Courses:

In some instances a short course will be necessary. A short course is needed when a section of the fascia steps out and is not an even panel width difference from the main fascia. Start battening at the fascia with the longest width (or if installing without battens start laying panels) and work up to the course above or down to the course below the stepped fascia. Next, measure the first course of the stepped section and treat it like a ridge. Finish the short course by measuring the panel from the front and cutting the excess from the back of the panel. When installing battens, be sure to allow for a 1" turn up at the batten.



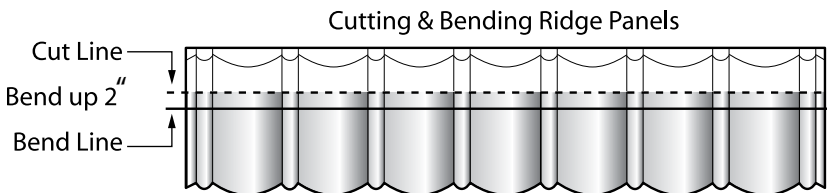
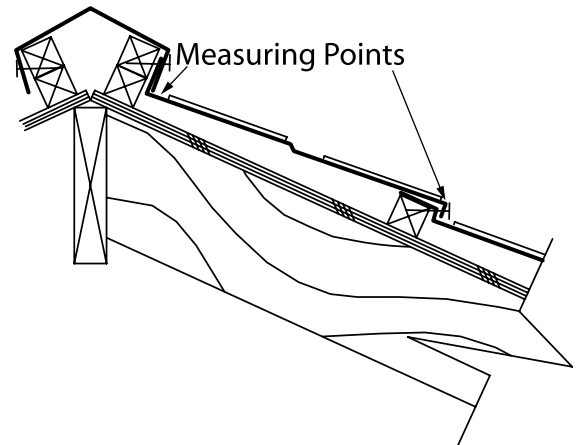
Hip:

When installing Tile, Shake or Shingle Plus run a 2 x 2 vertically up the battens next to the hip. Bring the panel to the 2 x 2 and turn the panel up 1-1/2". Measurements for hip cuts are made much like the valleys cuts. After cutting the panels, make a 1-1/2" bend that will run along the 2 x 2 at the hip. Shake and Shingle Plus panels follow the same procedures.



Ridge:

Tile, Shake and Shingle Plus panels use the same procedures. Measure from the front of the back flange to the front of the 2 x 2 at the ridge (See diagram right). This will be the bend line. Bend the panel at the bend line. Add 2" to the bend line and cut the panel. See Cutting & Bending diagram below. Install the panels along the ridge one side at a time. Conform each panel to the ridge and fasten. Next, install the panels along the other side of the ridge. Keep panels straight and level along the ridge as this is the foundation for the Hip & Ridge pieces.



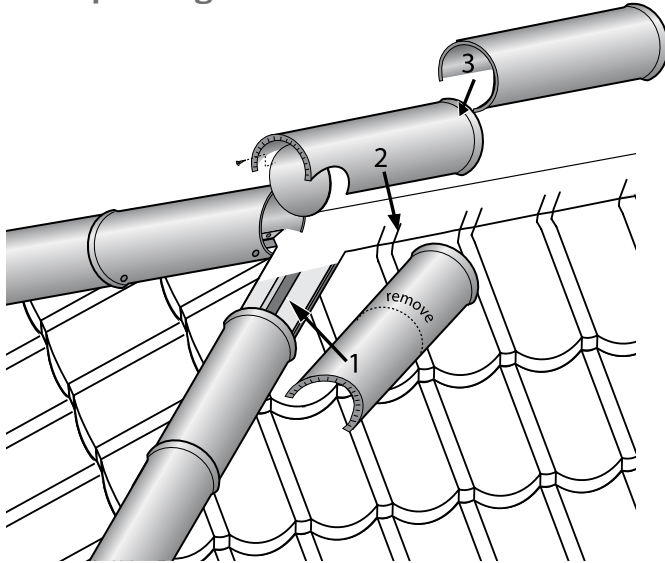
**Bend full panels
before cutting.**

Hip & Ridge:

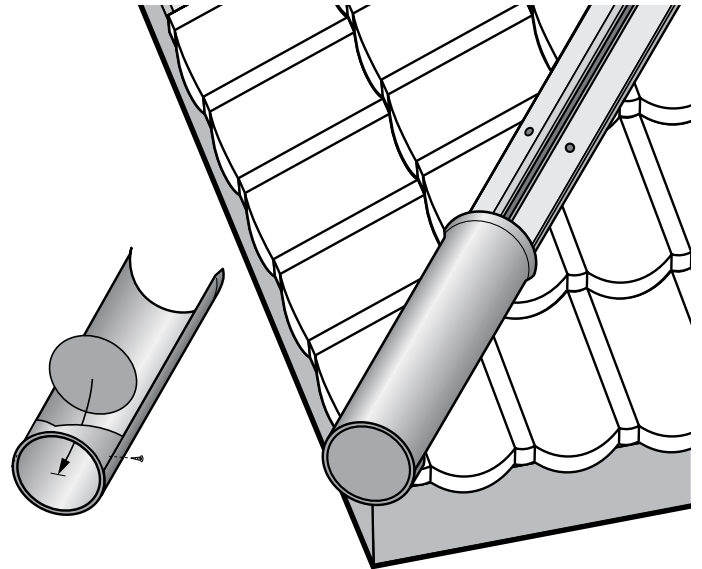
Panels have been cut and turned up vertically along the hips and ridges. Install Hip & Ridge pieces along hips, ridges and rakes. Hip & Ridge pieces are overlapped and fastened on both sides along the ridges, rakes/gables and hip boards with the same fasteners used for securing the panels.

Bend and fold exposed ends of hips and ridges neatly and finish with an End Cap or a piece of similar material. At the hip and ridge transition, miter into place.

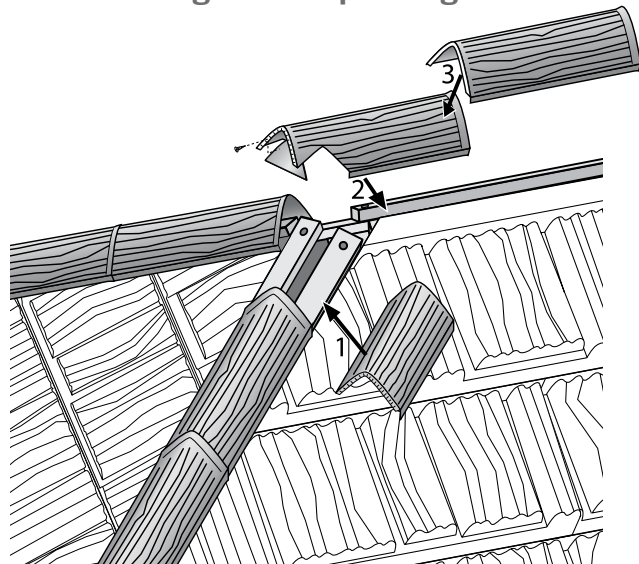
Tile Hip & Ridge



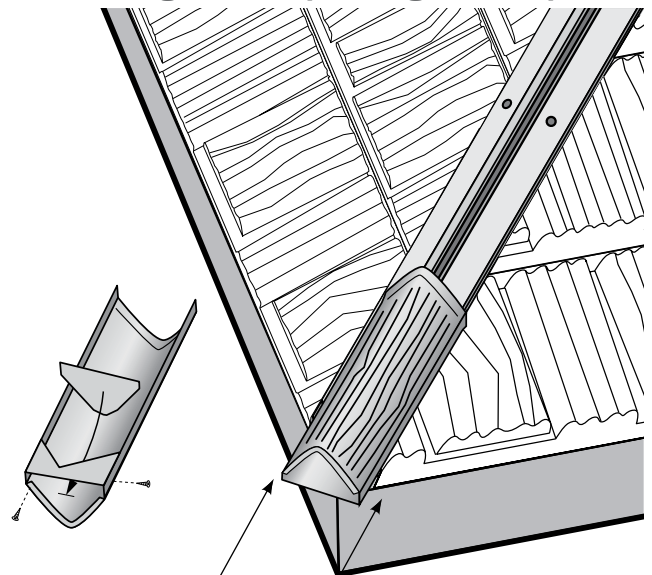
Tile Hip & Ridge End Cap



Shake & Shingle Plus Hip & Ridge



Shake & Shingle Plus Hip & Ridge End Cap



Fasteners on both sides of Hip & Ridge

Ridge Venting Options:

This section shows only two of the many methods available for venting a DECRA Roofing System. For diagram 1, three 2 x 2 battens should be stacked and installed along the length of the ridge. Fasten a 1 x 2 on top of the 2 x 2's. Use a 1" venting material and fasten along both sides of the battens – along the length of the ridge. Bend the panels up 2" at the ridge. Secure the Hip & Ridge piece through the 1 x 2. See diagram 2 for alternative using roll ridge venting material.

Diagram 1

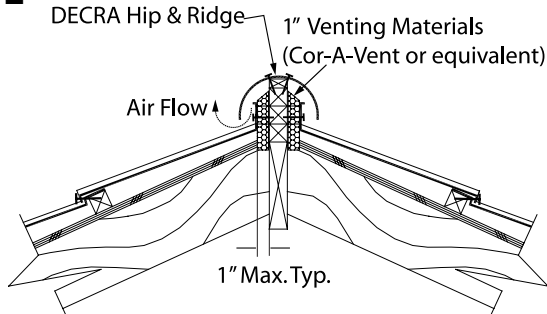
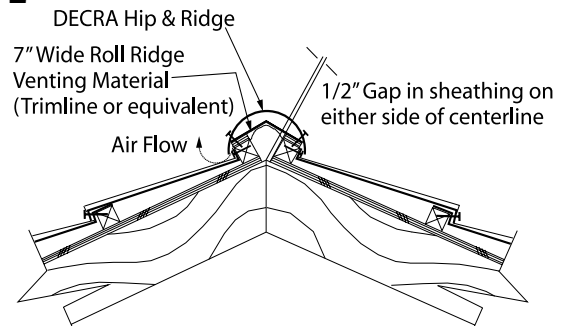


Diagram 2



Suggestion: Three 2 x 2 Battens for Tile & Shingle Plus Two 2 x 2 Battens for Shake

High Wind:

In areas prone to hurricanes and high winds, installation must meet local standards and codes. Full panels on the top three courses and bottom three courses should be fastened with seven fasteners at seven evenly spaced locations. Also, panels along the perimeter and directly along the hips and gables must be secured at seven evenly spaced locations.

Freeze/Thaw:

Use ice and water shield as recommended for cold climatic conditions. Fastening panels with minimum #8 corrosion resistant screws is recommended.

Foot Traffic:

Avoid walking on side laps. Foot traffic on DECRA Tile panels should be kept to the tile pans not on the high points. If installing over battens, walk directly over the battens. See walking instructions at www.decra.com.

Sealants:

Polyurethane based sealant is recommended for use with this roofing system. Where possible, the sealant should be covered by the roofing system or with matching stone granules. Sealant should not be used to refinish damaged panel surfaces.

Cleaning & Repairs:

After installation is complete be sure to clean all debris off of the roof, especially any metal shavings.

In cases where it is necessary to touch up or repair a panel, DECRA Touch-Up Kits are available in all of the colors matching the stone coated panel finishes.

For answers to questions not covered in this guide, call **800-258-9740** or go to www.decra.com.

Architectural Details and Product Specs and Estimating Sheets are available online at www.decra.com.